

12 Feline Inflammation

Order Code: **AW01987**

Characteristic

f-SAA (Feline serum amyloid A) is an acute phase protein, which is mainly produced by the liver. It's secreted during the acute phase of inflammation and the concentration of SAA will increase more during onset and recurrence, especially in the early damage of inflammation and tissue. In the early stage of feline suffering from infectious diseases, SAA has important significance in the identification of bacterial and viral infections, and is an important inflammatory indicator and prognostic marker for felines. At the same time, the rotor contains pancreas, kidney, liver and gallbladder parameters, which can comprehensively assess the felines' physical condition.

Note: Parameters with * are calculated values

Parameters

f-SAA BUN Crea ALB LPS TBA ALP GGT TP A/G* B/C* GLOB*

6 Canine Inflammation

Order Code: **AW02014**

Characteristic

c-CRP (C-reactive protein) is the main acute-phase reactive protein in canines and will rise in the presence of inflammation. Besides, it is much better at judging inflammation than white blood cells. Veterinary clinics mainly use it for assessing the severity of systemic inflammation and monitoring the effectiveness of treatment.

Note: Parameters with * are calculated values

Parameters

AMY Crea LPS BUN c-CRP B/C*

4 Coagulation Parameters

Order Code: **AW00650**

Characteristic

Coagulation test has a wide range application in clinics, and it's often used to determine the blood coagulation function of animals before operation, as well as the poisoning and parvovirus test.

Parameters

PT APTT TT Fib

seamaty



SMT-120VP

MULTIFUNCTIONAL AUTOMATIC VETERINARY CHEMISTRY ANALYZER

🏠 Chengdu Seamaty Technology Co.,Ltd.

🌐 Website: www.seamaty.com

✉ Email: sales@seamaty.com

📍 Address: No.333 Hezuo Road, Hi-Tech Zone, Chengdu, 611730, China.

☎ Tel: +86-28-60232039

seamaty

seamaty



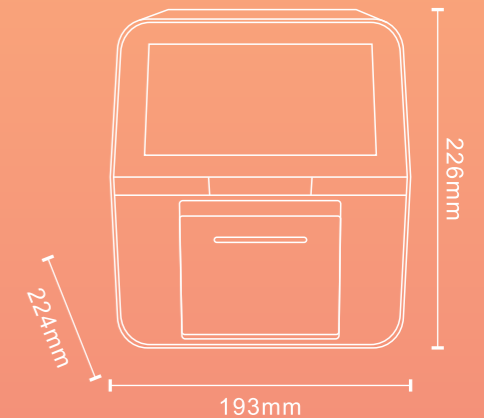
Founded in 2012, Chengdu Seamaty Technology Co., Ltd specializes in the Research & Development, production and marketing of POCT biochemistry analyzers. Seamaty is acknowledged and recognized by the Chinese government as a high-tech enterprise. Our company has established standard GMP clean production workshops and standard inspection laboratories, introduced a variety of imported Research & Development instruments and production equipment, developed and built multiple automated production lines independently. Seamaty has TUV ISO13485:2016 and CE certificates, and has registered many intellectual property and patent for inventions.

There are Research & Development centers in Chengdu and Shenzhen, and also have branches in Germany, Russia, Thailand and Shenzhen. We currently distribute to over 100 countries around the world, including many European and American countries.

SMT-120VP

Multifunctional Automatic Veterinary Chemistry Analyzer

Seamaty SMT-120VP realizes the miniaturization and automation of the analyzer by microfluidic technology. Built-in intelligent quality control system targets for an accurate and reliable test results. It is easy to operate with little space to be occupied. It is an ideal diagnostic tool to help veterinarians assess the health of animals and it has become the professional choice of thousands of veterinary hospitals and clinics.



Small and portable

Small size, weight only 4Kg.
Small footprint and can be carried anywhere.



Easy to use

Only need to add samples, it's easy to operate.
No need to add diluent manually.



Little sample volume

The sample volume is only 100µl.
Easy to do test for small animals and exotic animals.



One analyzer for multiple uses

Covers biochemistry, electrolyte, coagulation, feline and canine inflammation detection (c-CRP, f-SAA).



Consumable advantages

Freeze-dried reagents with 15-month shelf-life.
Original rotor microfluidic technology to avoid cross-contamination.
Autonomous ultrasonic welding, the quality is more guaranteed.



Lifetime maintenance

Imported key parts, no internal pumps, valves and other vulnerable parts.
25-month warranty, lifelong free maintenance.

SPECIFICATION

Sample Volume	90-120µl	Weight	4Kg
Sample Type	Anti-coagulated whole blood, serum, plasma	Testing Principle	Absorption spectroscopy, transmission turbidimetry
Bar Code	Two-dimensional bar code	Printer	Built-in thermal printer
Storage	MAX 500,000 results	QC & Calibrate	Real time full-auto finish
Temperature	37±0.3°C	Order Code	A00121VETENO
Resolution	0.001 Abs	Absorbance	0-3.0Abs
Testing Method	End point, kinetic, fixed time and turbidimetry	Display	Android 7.0 inch 800*480, multi-point capacitive touch screen
Operational Environment	Temperature: 10-30°C, Humidity: <85%	Connectors	2 USB ports
Light Source	12V/20W, halogen tungsten lamp's life span is over 2500 hours	Language	English, Italian, Portuguese, Russian, Spanish, Deutsch, French, Thai
Voltage	AC 100-240V ,50/60Hz	Rated Power	100VA

EASY 3-STEPS OPERATION

Dilution, centrifugation, quality control and test result printing carry out automatically as steps during the sample analysis process.



01 Add Sample (100µl blood)
The whole blood sample does not require pre-treatment. A full test is available with only 100µl of whole blood, serum or plasma.



02 Insert Rotor(12 minutes to result)
Key moving parts are original and sourced from US manufacturer. All fluids are self-contained within the rotor, eliminating the need for internal pumps, valves and other vulnerable parts.



03 Read Result (immediately)
Use the photoelectric colorimetric principle to eliminate random error and cross contamination. Test report will be printed automatically.

VETERINARY ROTOR PROFILE & ORDER CODE

24 Comprehensive Test Plus

Order Code: **AW01980**

Characteristic

This rotor with the most comprehensive parameters covers multiple biochemical groups such as liver, kidney, pancreas, myocardium, ion, protein, and metabolism, and can help veterinarians to diagnose diseases in all aspects. It is often used for comprehensive test of disease and health. It is a cost-effective rotor for veterinary hospitals and pet owners.

Note: Parameters with * are calculated values

Parameters

ALB ALP ALT AMY AST Ca CK Crea GLU GGT LDH LPS
PHOS TBA TB TC tCO₂ TG TP BUN UA A/G* B/C* GLOB*

16 Comprehensive Diagnostic Parameters

Order Code: **AW02015**

Characteristic

It can be used to test liver and kidney function, blood glucose, K⁺ and Na⁺ etc. Therefore, it's meaningful for nephropathy monitoring. It's very helpful for the sterilization of felines and canines, and it also can be used for simple screening of emergency diseases and health check. Among them, the ALP can better assist veterinarians in the judgement of pancreatic diseases.

Note: Parameters with * are calculated values

Parameters

ALB ALP ALT AMY CHE K⁺ Na⁺ Crea GLU TB TP UA
BUN A/G* B/C* GLOB*

16 Health Check Parameters

Order Code: **AW01981**

Characteristic

It's often used for disease screening, health examination and sterilization examination, which can help veterinarians make clinical diagnosis. This rotor involves liver function, kidney function, myocardium and blood lipids. It's also often used for a comprehensive test during treatment (test every 3-4 days) and is suitable for felines and canines with obvious symptoms of liver and kidney damage. It can be preliminarily judged high or low blood calcium through combined with total Ca and ALB.

Note: Parameters with * are calculated values

Parameters

ALB ALT AMY AST GLU CK Ca Crea BUN TB TG TP
PHOS A/G* B/C* GLOB*

10 Primary Diagnostic

Order Code: **AW00686**

Characteristic

It can check the protein of liver and kidney, blood sugar metabolism. It's very helpful for canines and felines, especially canine sterilization, and it can be used for simple screening of acute and severe diseases and health examination. ALP is a parameter that can better assist veterinarians in judging pancreatic diseases.

Note: Parameters with * are calculated values

Parameters

ALB ALP ALT Crea GLU TP BUN A/G* B/C* GLOB*

10 Pre-operation Test Parameters

Order Code: **AW01982**

Characteristic

It's often used to check whether the animal's physical sign is suitable for operation and used with the 4 coagulation parameters together, which can greatly reduce the risk of bleeding, pain, and anesthesia during the operation. Transaminase is used to assess the function of anesthesia recovery, and help the veterinarians to confirm anesthetic dosage. LDH assesses myocardial indicators and prevents surgical risks such as shock during operation.

Note: Parameters with * are calculated values

Parameters

ALP ALT AST CK Crea GLU LDH TP BUN B/C*

9 Kidney Function Parameters

Order Code: **AW00198**

Characteristic

Kidney function is examined and evaluated based on these parameters. By observing the clinical manifestations of the animals and testing B/C* parameter, veterinarians can correctly determine pre-renal and post-renal azotemia. Especially for felines, as the incidence of renal disease due to lack of drinking water is higher in felines than in other animals. In addition, Crea, BUN, Ca and PHOS are all helpful in review of renal disease.

Note: Parameters with * are calculated values

Parameters

Ca PHOS BUN Crea UA ALB GLU tCO₂ B/C*

11 Liver Function Parameters

Order Code: **AW01984**

Characteristic

Liver function is a required examination item for routine diseases, and the veterinarians can judge the cause based on liver function parameters accurately. TBA, ALP and GGT are very important for the detection of animal liver function and cholestasis.

Note: Parameters with * are calculated values

Parameters

ALB ALP ALT AST GGT TBA TB TC TP A/G* GLOB*

12 Electrolyte Plus Parameters

Order Code: **AW01985**

Characteristic

This rotor contains K⁺, Na⁺, Ca, Mg, Cl⁻, pH and LAC indicators, which can provide a basis for supplementing electrolytes to maintain osmotic pressure and pH balance. It also can evaluate compensatory acid-base poisoning. In addition, for the diagnosis of diseases in large animals, adding Crea, BUN and GLU to form 12 electrolytes parameters will have wider application scenarios.

Parameters

BUN Ca Cl⁻ K⁺ Mg Na⁺ PHOS tCO₂ pH LAC Crea GLU

Ammonia Parameter

Order Code: **AW01815**

Characteristic

The ammonia produced by the various tissues of the animal body in the process of amino acid metabolism and the ammonia produced by the decomposition of intestinal microorganisms, all can enter the blood to form blood ammonia. If the animal has weight loss, back muscle atrophy, rough hair and other symptoms. It needs to be checked for ammonia to find out if it is caused by elevated blood ammonia or kidney disease. The ammonia parameter is often used with 7 Kidney Function Parameters.

Parameter

NH₃

9 Diabetes Test Parameters

Order Code: **AW01364**

Characteristic

Fructosamine can diagnose diabetes more accurately that has occurred in animals within the last 1-2 weeks, and it can also effectively rule out hyperglycemia caused by stress (especially felines). Through continuous monitoring of fructosamine (test every 7 days) can reflect the effect of insulin therapy effectively.

Parameters

ALT AMY AST GLU LPS TC TG LAC FRU

13 Reptilian or Exotic Animals

Order Code: **AW01986**

Characteristic

Exotic & reptilian animal rotor contains UA, which is especially suitable for the diseases checking of birds, reptiles and rodents.

Parameters

ALB AST Ca CK K⁺ Na⁺ PHOS TBA TP UA A/G* GLOB*
GLU